



We Don't Make The Future, We Make The Future Better

**ADLIS/WEIYIN**  
**CORPORATION**

---





## SOLAR SMART BIN/TRASH

Stainless Steel Structure  
Solar Panel  
Monocrystalline silicon  
Intelligent Compactor  
Sensor Control Capacity  
Sensor Automatic Door  
Hydraulic System  
Led light Box  
Led Screen  
Wi-Fi 4G International Router  
Led Strip Light  
MPPT Controller  
AC Grid Inverter  
Battery



### MODEL:

WYB2001  
WYB2002  
WYB2003  
WYB2004  
WYB2005  
WYB2005A  
WYB2005B  
WYB2006  
WYB2007  
WYB2007A  
WYB2008  
WYB2009  
WYB2010  
WYB2011

Doesn't include Our Smart Platform/APP

Option Total Smart City with our Platform/APP

For more information about ADLIS SMART platform: [service@adlissmart.com](mailto:service@adlissmart.com)  
[sales@solarbenchchina.com](mailto:sales@solarbenchchina.com)

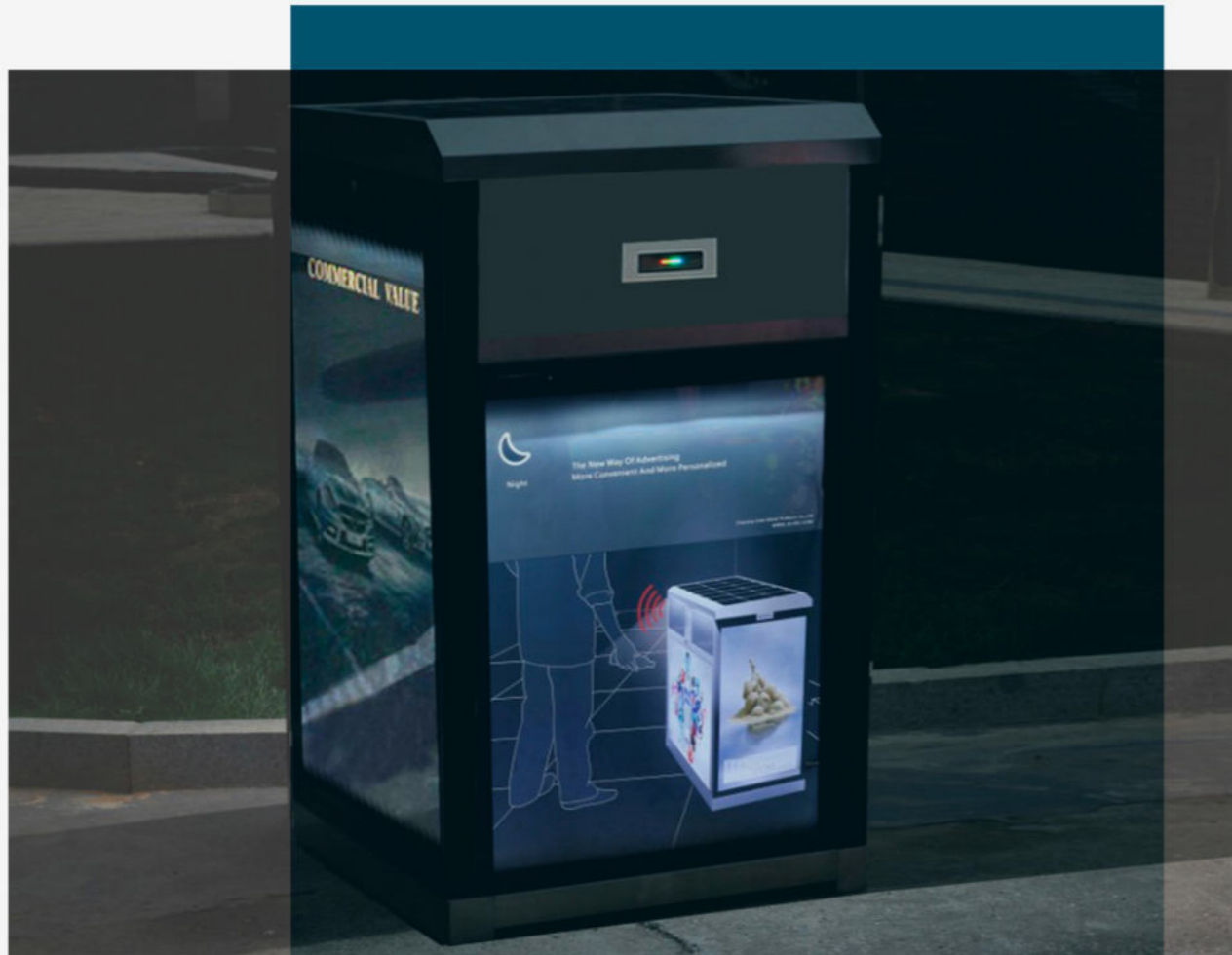


## SOLAR SMART TRASH/BIN





## SOLAR SMART TRASH/BIN



**WYB2001**

**Intelligent Compactor + Bottle Receptacle**

**Material: Stainless steel #304**

**Dimensions: L-135cm, W-66.5cm, H-110cm**

**Capacity: 120L x 2**

**Solar panel: 110W**

**Battery: 12V/100AH**

**LED Strip Light RGB/W**

**Sensor control capacity**

**Sensor for door opening/Voice Broadcast**

**Filled alarm**

**2 Led light Box Advertising (Left and right)**

**2 Led light box Advertising front side**

**OPTION: INDOOR WITHOUT SOLAR PANEL**



The price doesn't include our Smart Platform/APP

For more information about ADLIS SMART platform: [service@adlissmart.com](mailto:service@adlissmart.com)

[sales@solarbenchchina.com](mailto:sales@solarbenchchina.com)



## SOLAR SMART TRASH/BIN

WYB2002



### Intelligent Compactor + Bottle Receptacle

Material: Stainless steel #304

Dimensions: L-135cm, W-66.5cm, H-110cm

Capacity: 120L x 2

Solar panel: 110W

Battery: 12V/100AH

LED Strip Light RGB/W

Sensor control capacity

Sensor for door opening/Voice Broadcast

Filled alarm

2 LCD Screen on the sides (Left and right)

2 Led Screen P2.5 Front Side

**OPTION: INDOOR WITHOUT SOLAR PANEL**

The price doesn't include our Smart Platform/APP

For more information about ADLIS SMART platform: [service@adlissmart.com](mailto:service@adlissmart.com)

[sales@solarbenchchina.com](mailto:sales@solarbenchchina.com)



## SOLAR SMART TRASH/BIN



**WYB2003**

**Waste + Bottle Receptacle/  
Stainless Steel #304 + Coated Paint  
Dimensions: (L)105 x (W) x 47 (H)95.5  
Led Light Box: 2  
Solar panel: 50W  
Battery: 12V/35AH  
Led Strip Light 5W White/Warm White  
Sensor for door opening, voice broadcast  
Network notice  
Disinfection**

**OPTION: INDOOR WITHOUT SOLAR PANEL**

The price doesn't include our Smart Platform/APP  
For more information about ADLIS SMART platform: [service@adlissmart.com](mailto:service@adlissmart.com)  
[sales@solarbenchchina.com](mailto:sales@solarbenchchina.com)



## SOLAR SMART TRASH/BIN



**WYB2004**

**Waste + Bottle Receptacle/  
Stainless Steel #304 + Coated Paint  
Dimensions: (L)105 x (W) x 47 (H)95.5  
Led Screen P2.5: 2 Left and Right  
Solar panel: 50W  
Battery: 12V/35AH  
Led Strip Light 5W White/Warm White  
Sensor for door opening, voice broadcast  
Network notice  
Disinfection**

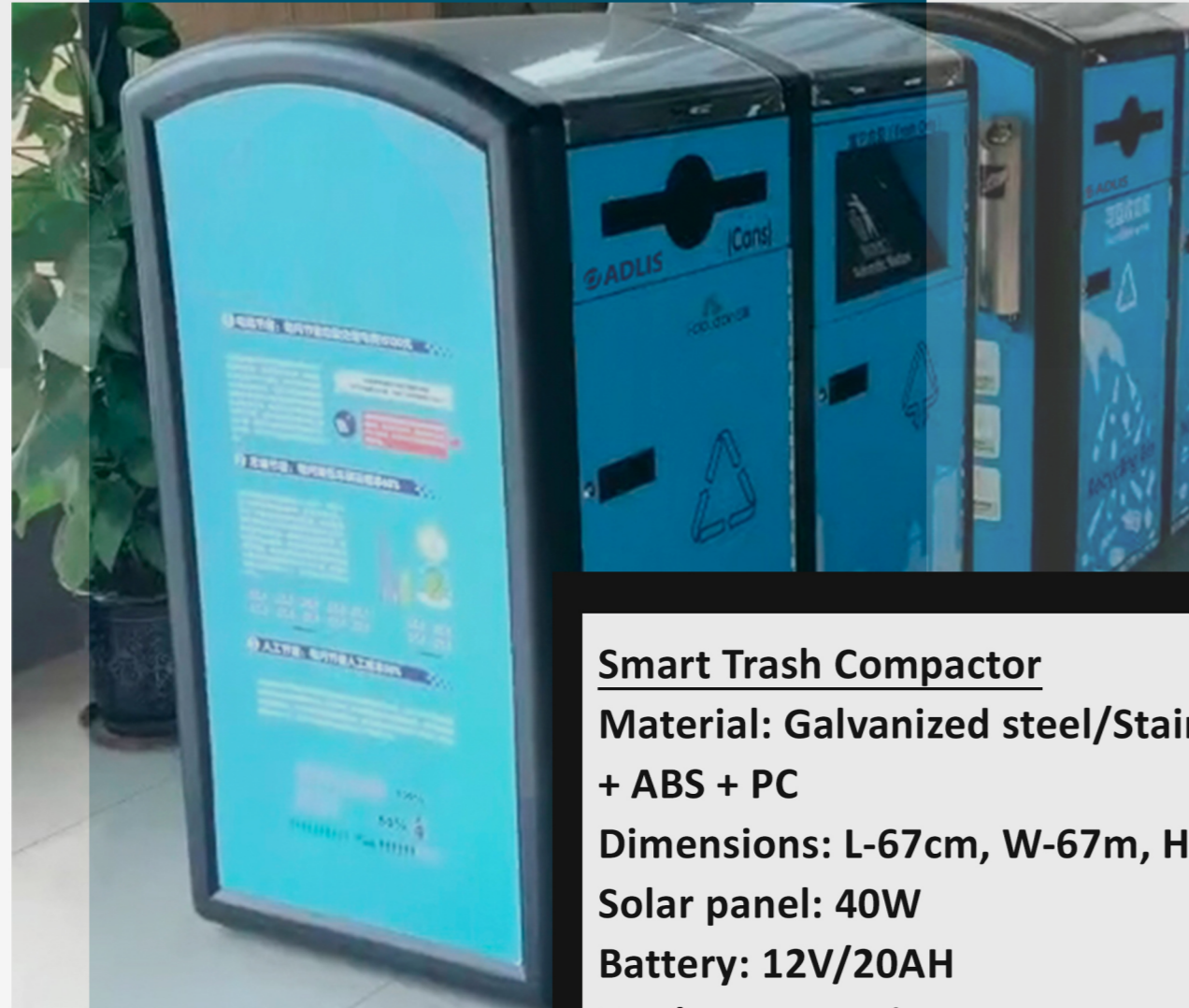
**OPTION: INDOOR WITHOUT SOLAR PANEL**



The price doesn't include our Smart Platform/APP  
For more information about ADLIS SMART platform: [service@adlissmart.com](mailto:service@adlissmart.com)  
[sales@solarbenchchina.com](mailto:sales@solarbenchchina.com)



## SOLAR SMART TRASH/BIN



WYB2005

### Smart Trash Compactor

**Material:** Galvanized steel/Stainless steel + ABS + PC

**Dimensions:** L-67cm, W-67m, H-128cm

**Solar panel:** 40W

**Battery:** 12V/20AH

**Trash compression**

**Sensor for door opening/Voice broadcast**

**Disinfection**

**Network notice**

**Cigarette tray optional**

**Option with Adlis/Weiyin Platform:**

**Trash compactor filled up Network notice**

**OPTION: INDOOR WITHOUT SOLAR PANEL**



The price doesn't include our Smart Platform/APP  
For more information about ADLIS SMART platform: [service@adlissmart.com](mailto:service@adlissmart.com)  
[sales@solarbenchchina.com](mailto:sales@solarbenchchina.com)



WYB2005A

## SOLAR SMART TRASH/BIN



### Smart Trash Compactor + Bottle

Material: Galvanized steel/Stainless steel + ABS + PC

Dimensions: L-134cm, W-67m, H-128cm

Solar panel: 40W\*2

Battery: 12V/20AH\*1

Trash compression\*1

Sensor for door opening/Voice broadcast\*1

Disinfection\*1

Cigarette tray optional

Option with Adlis/Weiyin Platform:

Trash compactor filled up Network notice

**OPTION: INDOOR WITHOUT SOLAR PANEL**

The price doesn't include our Smart Platform/APP

For more information about ADLIS SMART platform: [service@adlissmart.com](mailto:service@adlissmart.com)

[sales@solarbenchchina.com](mailto:sales@solarbenchchina.com)



## SOLAR SMART TRASH/BIN



WYB2005B



**Smart Trash Compactor + bottle receptacle  
+ paper receptacle**

**Material: Galvanized steel/Stainless steel + ABS + PC**

**Dimensions: L-201cm, W-67cm, H-128cm**

**Solar panel: 40W\*3**

**Battery: 12V/20AH\*1**

**Trash compression\*1**

**Sensor for door opening/Voice broadcast\*1**

**Disinfection\*1**

**Cigarette tray optional**

**Option with Adlis/Weiyin Platform:**

**Trash compactor filled up Network notice**

**OPTION: INDOOR WITHOUT SOLAR PANEL**

The price doesn't include our Smart Platform/APP

For more information about ADLIS SMART platform: [service@adlissmart.com](mailto:service@adlissmart.com)

[sales@solarbenchchina.com](mailto:sales@solarbenchchina.com)



## SOLAR SMART TRASH/BIN



WYB2006



### Solar Smart Trash

Material: Stainless steel #304

Dimensions: L-53cm, W-63cm, H-120cm

Solar panel: 45W

Battery: 12V/20AH

LED control capacity: green/red

Sensor for door opening

Filled alarm

Option 1: Disinfection

Option 2: 4G WiFi International router

**OPTION: INDOOR WITHOUT SOLAR PANEL**

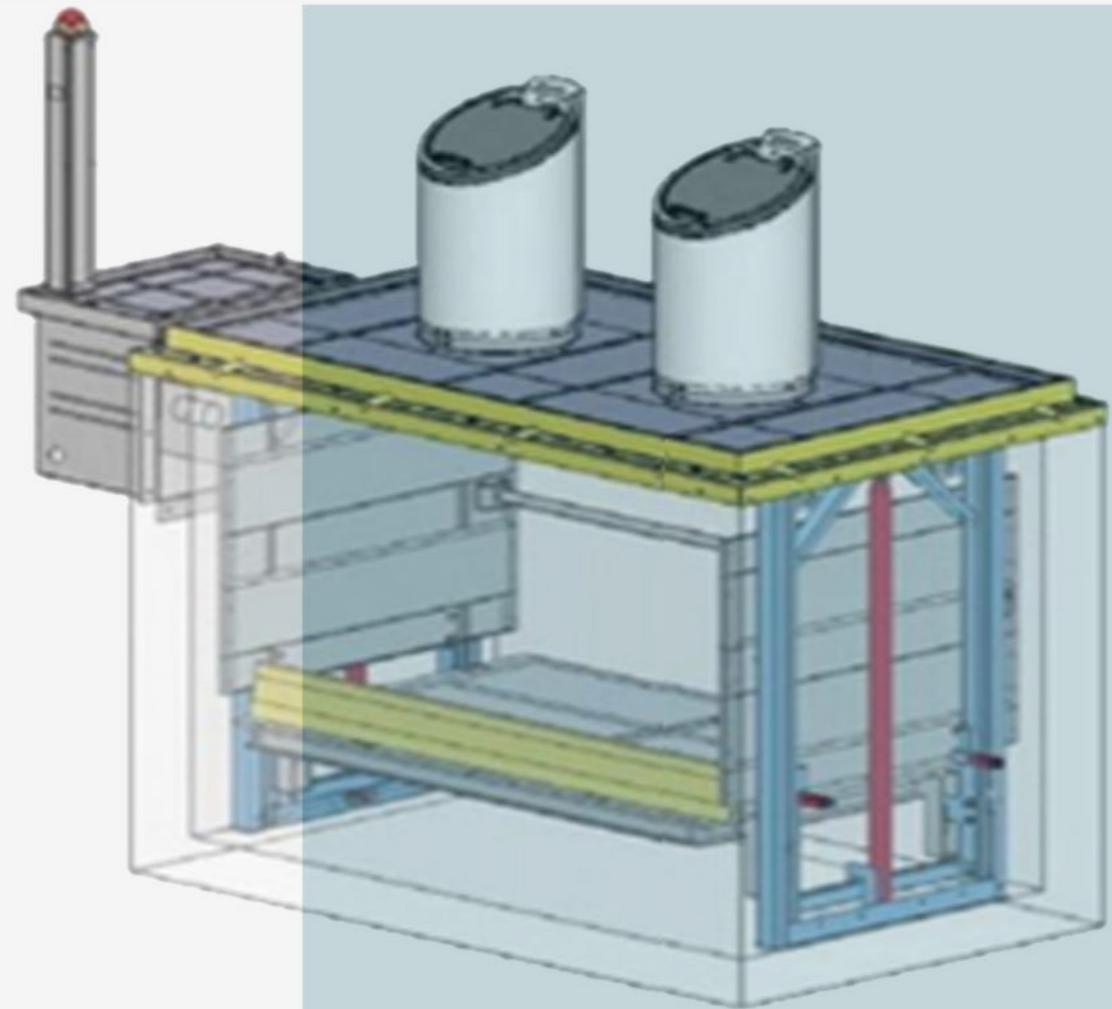
The price doesn't include our Smart Platform/APP

For more information about ADLIS SMART platform: [service@adlissmart.com](mailto:service@adlissmart.com)

[sales@solarbenchchina.com](mailto:sales@solarbenchchina.com)



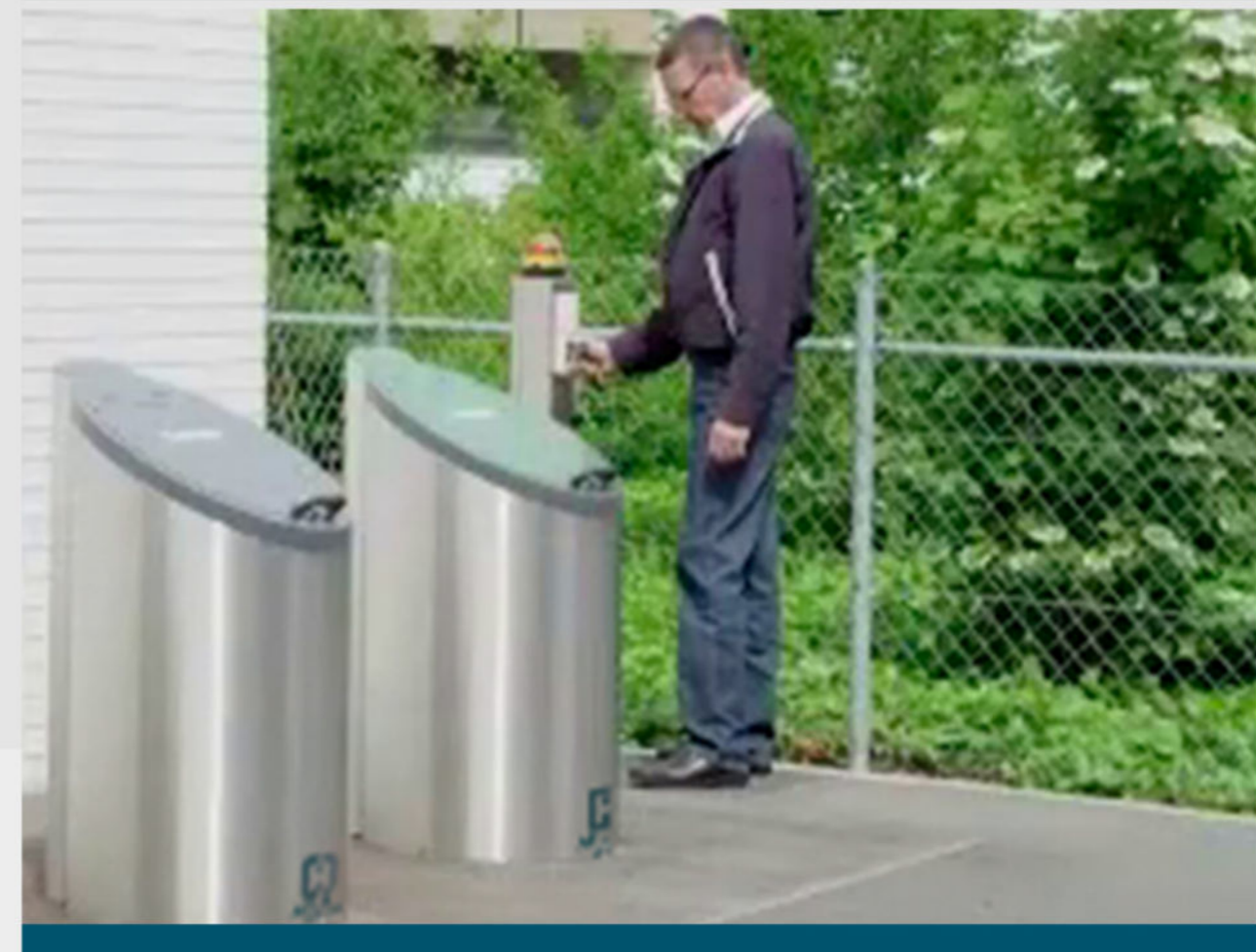
## SMART HYDRAULIC TRASH/BIN



**WYB2007**

Smart Trash Hydraulic platform lifting type  
2 bins above the ground: 2 bins above the ground: 40 cm diameter / 100 cm in height  
Material: stainless steel #304  
Estimated foundation pit area: about 3.2\*2.2\*2.1m  
2 plastic inner bins under the ground, 1100L each, material: PE

The price doesn't include our Smart Platform/APP  
For more information about ADLIS SMART platform: [service@adlissmart.com](mailto:service@adlissmart.com)  
[sales@solarbenchchina.com](mailto:sales@solarbenchchina.com)

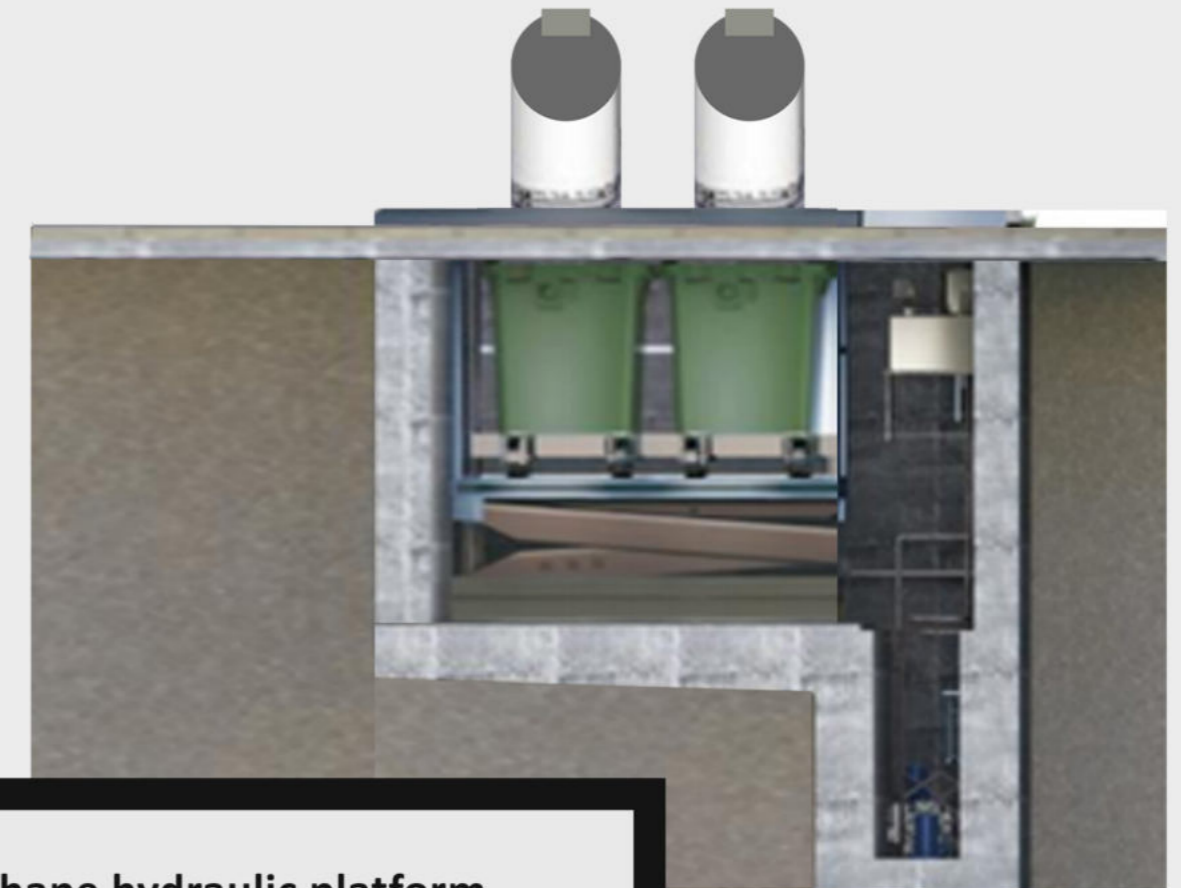




## SMART HYDRAULIC TRASH



WYB2007A



### Smart Trash X-shape hydraulic platform lifting type

2 bins above the ground: 2 bins above the  
ground: 40 cm diameter / 100 cm in height

Material: stainless steel #304

Estimated foundation pit area:  
about 2.6\*1\*2.7m

2 plastic inner bins under the ground,  
660L each, material: PE

The price doesn't include our Smart Platform/APP  
For more information about ADLIS SMART platform: [service@adlissmart.com](mailto:service@adlissmart.com)  
[sales@solarbenchchina.com](mailto:sales@solarbenchchina.com)



## SOLAR SMART TRASH/BIN



**WYB2008**

### Solar Smart Trash

Material: Stainless Steel #201

Dimensions: L-90cm, W-40cm, H-133cm

Solar panel: 46W

Battery: 12V/20AH

Led Control Capacity

Sensor for door opening, voice broadcast

Network notice

Option 1: disinfection

Option 2: 4G WIFI International router

**OPTION: INDOOR WITHOUT SOLAR PANEL**

The price doesn't include our Smart Platform/APP

For more information about ADLIS SMART platform: [service@adlissmart.com](mailto:service@adlissmart.com)

[sales@solarbenchchina.com](mailto:sales@solarbenchchina.com)



## SOLAR SMART TRASH/BIN



**WYB2009**

**Solar Smart Trash**  
Material: Stainless Steel #201  
Dimensions: L-52cm, W-42cm, H-110cm  
Solar panel: 32W  
Battery: 12V/20AH  
Led Control Capacity  
Sensor for door opening, voice broadcast  
Network notice  
Option 1: disinfection  
Option 2: 4G WIFI International router  
**OPTION: INDOOR WITHOUT SOLAR PANEL**



The price doesn't include our Smart Platform/APP  
For more information about ADLIS SMART platform: [service@adlissmart.com](mailto:service@adlissmart.com)  
[sales@solarbenchchina.com](mailto:sales@solarbenchchina.com)



# SOLAR SMART TRASH/BIN



WYB2010

- 1 Compactor Trash + Bottle Receptacle
- Material: Stainless steel #304
- Dimensions: L-128cm, W-62cm, H-101cm
- Solar panel: 110W
- Battery: 12V/55AH
- LED control capacity: green/red
- Sensor for door opening
- Filled alarm
- Disinfection
- 4G WiFi International router

The price doesn't include our Smart Platform/APP  
For more information about ADLIS SMART platform: [service@adlissmart.com](mailto:service@adlissmart.com)  
[sales@solarbenchchina.com](mailto:sales@solarbenchchina.com)





## SOLAR SMART TRASH/BIN



- 1 Compactor Trash + Bottle Receptable + Paper Receptable
- Material: Stainless steel #304
- Dimensions: L-177cm, W-62cm, H-110cm
- Solar panel: 156W
- Battery: 12V/55AH
- LED control capacity: green/red
- Sensor for door opening
- Filled alarm
- Disinfection
- 4G WiFi International router



WYB2011

The price doesn't include our Smart Platform/APP  
For more information about ADLIS SMART platform: [service@adlissmart.com](mailto:service@adlissmart.com)  
[sales@solarbenchchina.com](mailto:sales@solarbenchchina.com)



## SOLAR SMART TRASH/BIN

Click on the link: 3D/AR

<https://adlissmart.com/WYB2001/>

<https://adlissmart.com/WYB2002/>

<https://adlissmart.com/WYB2003/>

<https://adlissmart.com/WYB2004/>

<https://adlissmart.com/WYB2005/>

<https://adlissmart.com/WYB2005A/>

<https://adlissmart.com/WYB2005B/>

<https://adlissmart.com/WYB2008/>

<https://adlissmart.com/WYB2009/>

<https://adlissmart.com/WYB2010/>

<https://adlissmart.com/WYB2011/>





# ADLIS/WEIYIN CORPORATION

---

<https://adlissmart.com>

<https://solarbenchchina.com>

<https://adlis.co.il>

---

Adlis/Weiyin Corporation

Office: Sderot Moriah 104, Haifa – Israel

Office: Asher 4 Kiryat Yam - Israel

Factory: Asher 4 Kiryat Yam – Israel

Factory: 2/F, Building E, Hengchangrong Industrial Park.

Pinghu Street, Longgang District, Shenzhen City,

Guangdong Province, China

[sales@adlis.co.il](mailto:sales@adlis.co.il)

[sales@adlissmart.com](mailto:sales@adlissmart.com)

[jane@solarbenchchina.com](mailto:jane@solarbenchchina.com)

[sales@solarbenchchina.com](mailto:sales@solarbenchchina.com)

